

BRIZA  
air cooler

USER MANUAL

# CONTENTS

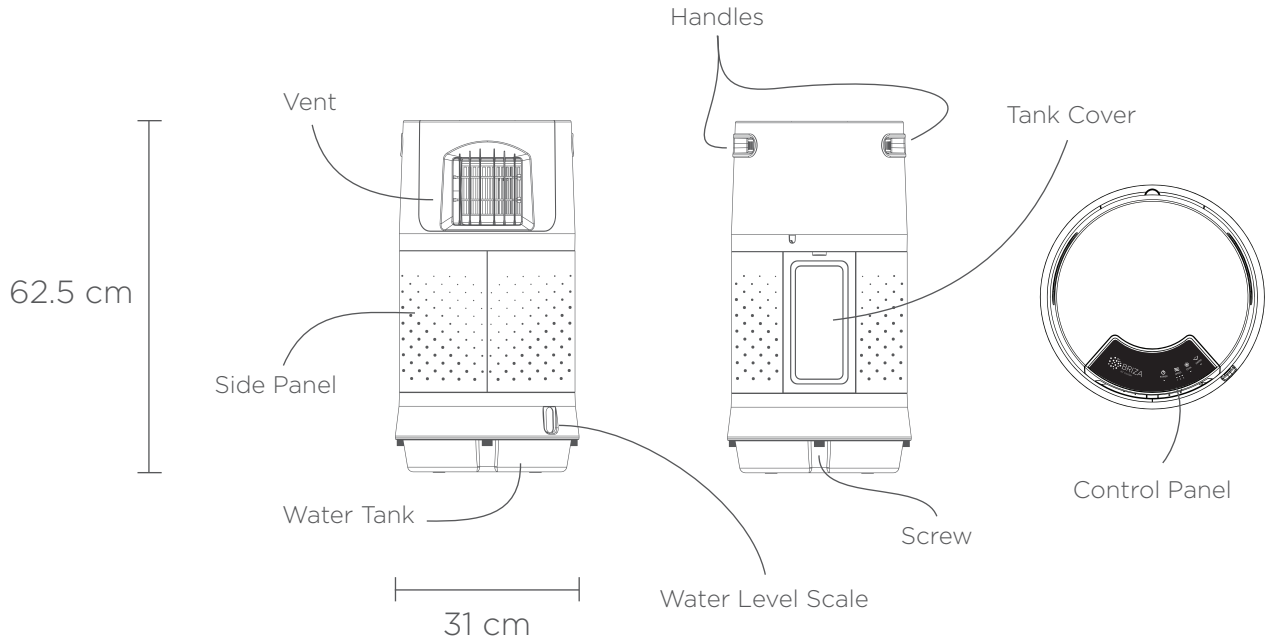
- 3 Product Components
- 5 Operating Guide
- 5 Caution
- 6 Operation Instruction
- 7 Cleaning & Maintenance
- 8 Troubleshooting
- 10 Technical Information

# PRODUCT COMPONENTS

FRONT

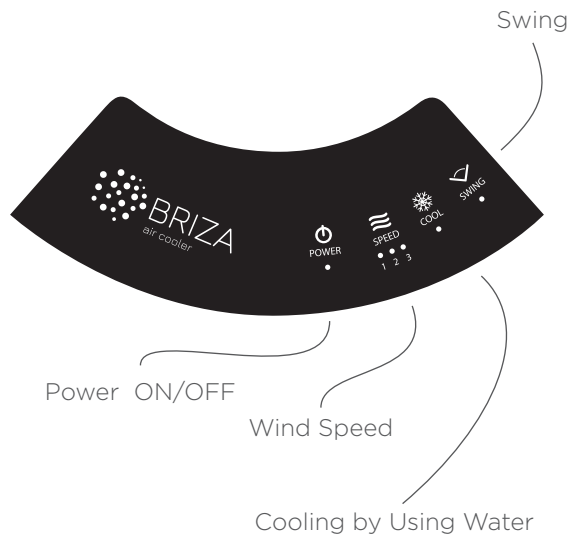
SIDE

TOP

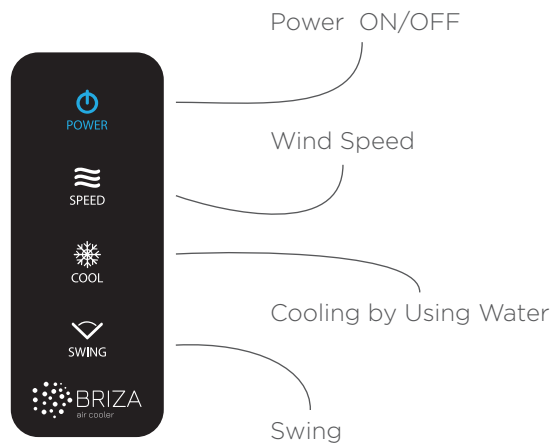


# PRODUCT COMPONENTS

## CONTROL PANEL



## REMOTE CONTROL



# OPERATING GUIDE



**IMPORTANT** You must unscrew the tank base and remove the plate-sized plastic piece prior to first use.

1. This unit is controlled with a touchscreen control.
2. Please use this unit with adequate air ventilation.
3. Do not exceed “max” water level marker when filling the tank. Do not run the cooling function if water level is to low.
4. Drain the water tank when cleaning the unit.
5. Fill tank with water only. Do not add any chemicals.
6. Make sure your power supply is 120 V / 60 Hz. The unit will not operate normally if power supply is too low. Damage may occur if the power is too high.
7. Unplug the unit from power supply when not in use.
8. Please note that when the tank is empty the unit will switch from “Cool” to “Fan” mode. Leave the unit in “Fan” mode for 30-40 minutes after use to dry the filters.

## CAUTION

1. When moving the unit, use caution not to spill water from the tank.
2. Don't put anything on top of the unit.
3. Don't put anything directly in front of the unit.
4. Don't put anything through the front grill.
5. Unplug the unit before filling with water or cleaning.
6. Stop operating this unit immediately if it functions abnormally. Contact [info@batten.ca](mailto:info@batten.ca) for further instruction.
7. To reduce the risk of fire or electric shock, do not use this fan with any solid-state speed control device.
8. Do not operate any fan with a damaged cord or plug.
9. Do not run cord under carpeting. Do not cover cord with throw rugs, runners or similar coverings. Do not route cord under furniture or appliances. Arrange cord away from traffic area and where it will not be tripped over.

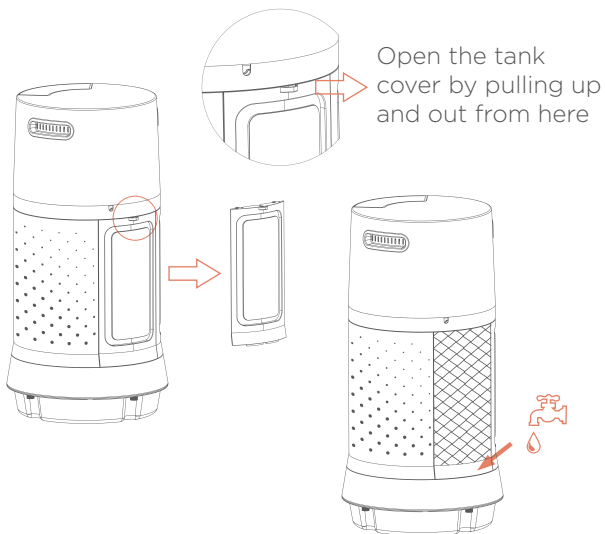
# OPERATING INSTRUCTION

## NOTE

When the "Cool" mode is activated, the pump inside the water tank will pump water to saturate the filters. Heat that flows through the filters will exchange with the water and cool the air flowing through the filters. Therefore, a decrease in temperature depends on relative humidity and ambient temperature when the unit is in "Cool" mode.

## Filling Water Tank

Open the tank cover on the back of the unit as shown in the illustration below. Use a water jug to fill. Do not exceed the "max" water level mark.



## Power

Press "Power" on the control panel or remote to turn the fan on. "Power" will illuminate, press again to power off.

## Speed

Press "Speed" on the control panel or remote to control wind speed. Speeds: Low (1), medium (2), High (3), selected speed will light up.

## Swing

Press "Swing" on the control panel or remote to have the front grill oscillate. "Swing" will illuminate. Press again to stop "Swing" mode.

## Cool

Press "Cool" on the control panel or remote to operate cooling function. Light will illuminate. Press again to switch off.

# CLEANING & MAINTENANCE

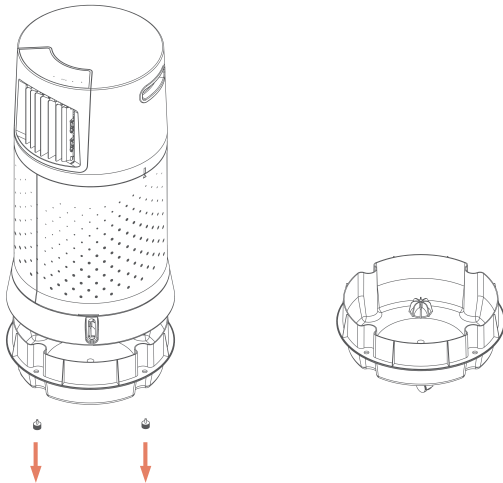
**!** **IMPORTANT** Always unplug the fan before cleaning, disassembling or servicing.

## Cleaning the Unit Body

Use clean water and a soft towel.

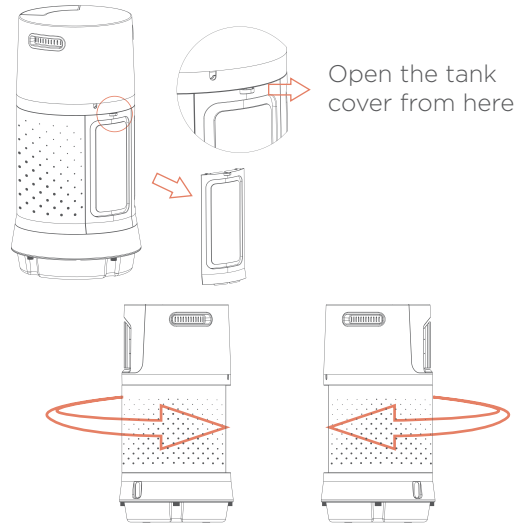
## Cleaning the Water Tank

Remove the 4 screws from the bottom of the water tank and clean the tank base with a soft, non abrasive towel.



## Cleaning the Filters

Once a week (recommended), open the rear tank cover and slide the side panels as shown in the illustration below.



Remove filters, soak in vinegar-water (1:4 ratio) for 10-15 minutes. Let dry and wipe with soft cloth.

# TROUBLESHOOTING

PROBLEM	POSSIBLE CAUSE	CORRECTIVE ACTION
The remote control is not working.	<ol style="list-style-type: none"><li>1. Remote control batteries have run out.</li></ol>	<ol style="list-style-type: none"><li>1. Replace batteries.</li></ol>
The unit is making a clicking noise.	<ol style="list-style-type: none"><li>1. Loose pump parts or vents.</li></ol>	<ol style="list-style-type: none"><li>1. Make sure all pump parts and vent horizontal slats are securely in place.</li></ol>
The pump is not functioning properly / no cool air is circulating.	<ol style="list-style-type: none"><li>1. The filters are clogged or dirty.</li><li>2. The pump has become dislodged or clogged.</li><li>3. Excessively high relative humidity.</li></ol>	<ol style="list-style-type: none"><li>1. Clean or replace the filters.</li><li>2. Make sure the pump is fully intact and fully submerged in water.</li><li>3. When the unit is used for long periods of time, the relative room humidity will increase, to counteract the humidity and allow more ventilation in the room, we suggest opening a window.</li></ol>



# TROUBLESHOOTING

PROBLEM	POSSIBLE CAUSE	CORRECTIVE ACTION
Water spitting from the unit.	<ol style="list-style-type: none"><li>1. Filters are deteriorating.</li><li>2. Clogged water ducts.</li></ol>	<ol style="list-style-type: none"><li>1. Change filters.</li><li>2. Clean the top water ducts located above the filters in the unit.</li></ol>
Undesirable odor.	<ol style="list-style-type: none"><li>1. The unit is placed in an area where undesirable odors are presents, or algae are present in the water tank.</li></ol>	<ol style="list-style-type: none"><li>1. Clean the water tank and the filters. (see page 7)</li></ol>
White sediments in the water tank.	<ol style="list-style-type: none"><li>1. Water has a high content of salt.</li></ol>	<ol style="list-style-type: none"><li>1. Drain the tank and clean the filters more frequently.</li></ol>



**For further questions regarding the set up of your Briza or for troubleshooting tips please visit our website [www.brizacomfort.com](http://www.brizacomfort.com). You will find an informative video along with help for frequently asked questions in the FAQ (frequently asked questions) section which is located in the top menu.**

# TECHNICAL INFORMATION

Air volume	700 m <sup>3</sup> /h
Area coverage	12 m <sup>2</sup>
Power	80 W
Input electricity	120 V / 60 Hz
Current	0.66 A
Water tank capacity	8 L
Water continuous usage	6 - 8 h
Water evaporation rate	0.5 - 0.75 L/h
Noise	< 55 dB
Fan speed	3 speeds
Vent size	12x12 cm
Cooling pad type	4090
Overall dimension	31x31x62.5 cm
Net weight	5.2 kg
Operating weight	13.2 kg

---

Touch panel & remote control included



Batten Industries Inc.  
114-2455 Dollarton Hwy.  
North Vancouver, BC, V7H 0A2  
Toll Free 1.888.984.7471

[brizacomfort.com](http://brizacomfort.com)